

TM TECHNOLOGIE
emergency & evacuation lighting

TM.PRIMO R

IP 20 LED 3h

210 ÷ 250 V AC
50 / 60 Hz
186 ÷ 254 V DC

CE 0.7m

A LED

E LED

E LED

A1, A1* ! ±1 [mm]

E25 ! ±1 [mm]

E30*, E40 ! ±1 [mm]

1

1.1

1.2

1

1.1

1.2

A

TM-PROG

≤50mm

1.3

E

1.3

1.4

1.5

1.6

4 *ST / AT / DATA / DATA 2 / DALI **4.1** **3.1**▶**3.2**▶**3.3**▶**3.4** **A**

4.2

4.3

4.4

4.5

4.6

4.7

4.8 **3.7**▶**3.8**▶**3.9**

6.4V/3.0Ah **A1***

6.4V/1.5Ah **A1**

4 *ST / AT / DATA / DATA 2 / DALI **4.1** **3.1**▶**3.2**▶**3.3** **E30*, E40**

4.2

4.3

4.4

4.5

4.6

4.7

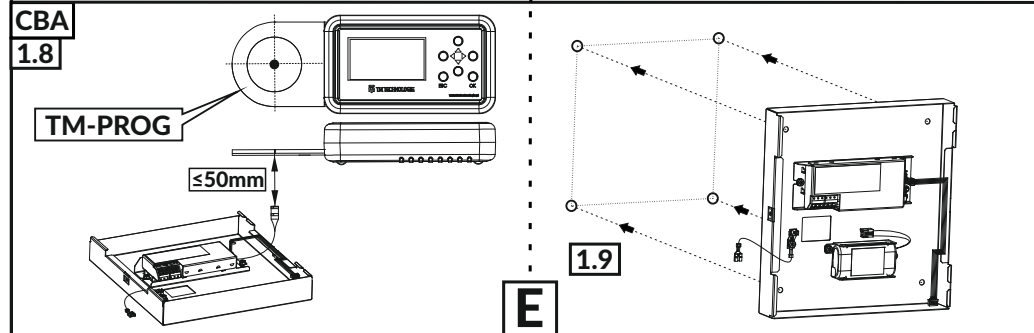
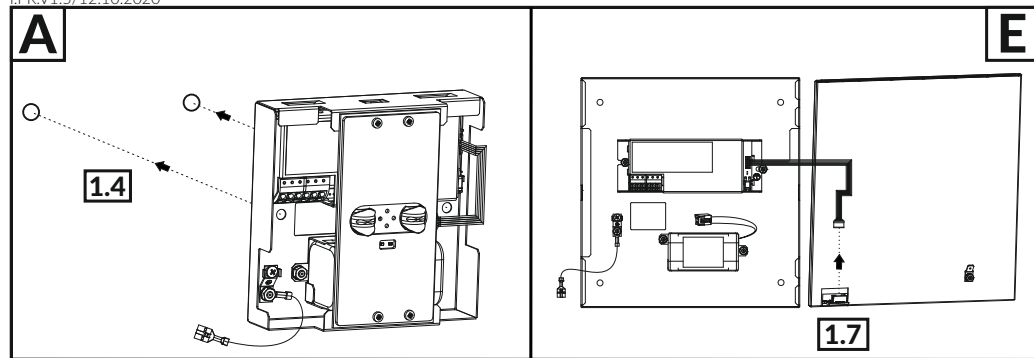
4.8 **3.8**▶**3.9**▶**3.10**▶**3.11** **E**

6.4V/1.5Ah

3.2V/1.5Ah

PRIMO R	25P (10 x LED)	30P (12 x LED)	40P (16 x LED)
t		75°C	





40mm	40mm	NM	M	M1 60(180): NM / M	CB	CBA
N L	AB	N L L1 AB	N N L L AB	N/- L/+ CB	N- L+ L1 L N	CB
(DA DA)	(DA DA)					

L1	ST / AT	DT / D2 / DA	D2R
N / L / 2	N L L1	500-1kV	500-1kV

